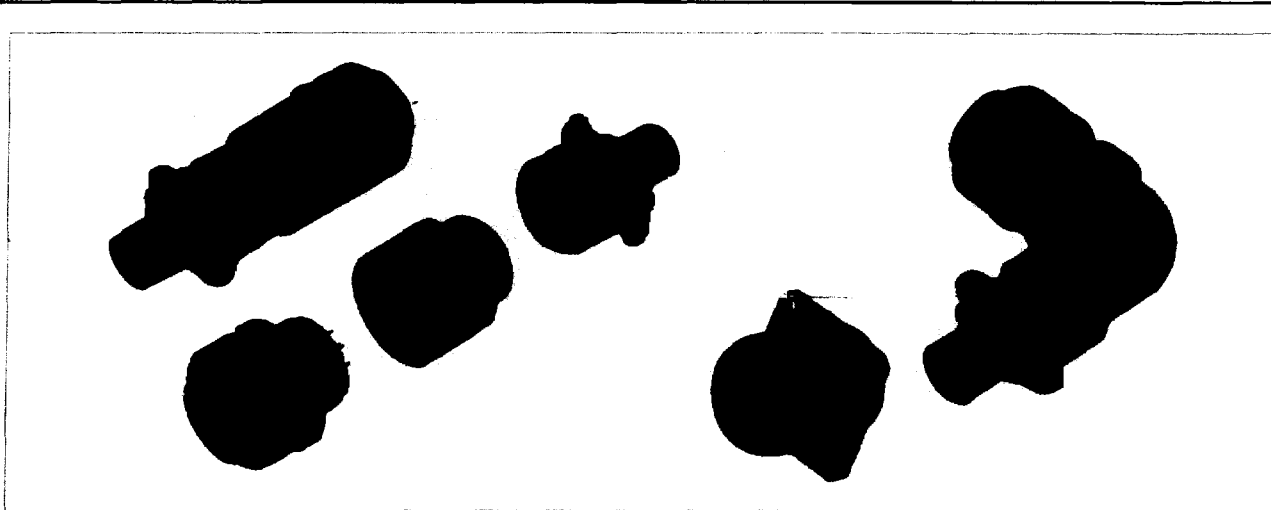


CE05 Series



Connectors Conforming to European Safety Standards



As of January 1995 all industrial machinery, including machine tools, which are exported to Europe must conform with European safety standards. The CE05 series connectors, which offer full compatibility with DMS connectors in Factory Automation applications, were developed to comply with this demand.

■ FEATURES

- **Conformity with European Safety Standards**

CE05 series connectors fully conform with the following European safety standards:

EN60204-1 (electric machinery parts) and DIN VDE 0627 (connectors). They have been approved by TÜV Rheinland.

- **Sequence Structure with Protective Circuitry** (First-make, Last-break contact design)

Connectors are provided with a pre-mating and grounding contact, consisting of a shell having conductivity with the shell to serve as protective circuitry. When making connections, the contact of the CE05 connector is connected first before other contacts, and detached last.

- **Conformity with MIL-C-5015**

CE05 connectors fully comply with MIL-C-5015 standards and can be mated with conventional DMS connectors.

- **Water/Oil/Dustproof Structure: Class IP67 Protection**

Once connected, full protection is provided against ingress of water droplets, cutting fluid, dust particles, etc. Use of a synthetic rubber insert ensures protection against water and dust even in the unconnected state in the case of the receptacle with male contacts.

- **Plug Connector Accessories**

Available accessories include waterproof straight-back shells, waterproof angle-back shells and waterproof cable clamps (with rubber bushing). Plug connectors are also available for conduit applications.

- **Solder Wire**

Like DMS connectors, CE05 connectors have solder buckets.

Note: CE05 connectors offer full compatibility with DMS series connectors.

CE05 Series



Material/Finish

- contactCopper alloy/Silver plating
- Pin front insertSynthetic rubber/Black
- Pin rear insertSynthetic resin / Black
- Socket insertSynthetic resin/Black
- ShellAluminum alloy/Zinc plating,
Black chromate finish
- Coupling ringAluminum alloy/Zinc plating,
Black chromate finish
- Retaining ringCopper alloy/Zinc plating,
Olive drab chromate finish
- Ground lugCopper alloy/Silver plating
- GasketSynthetic rubber/Black

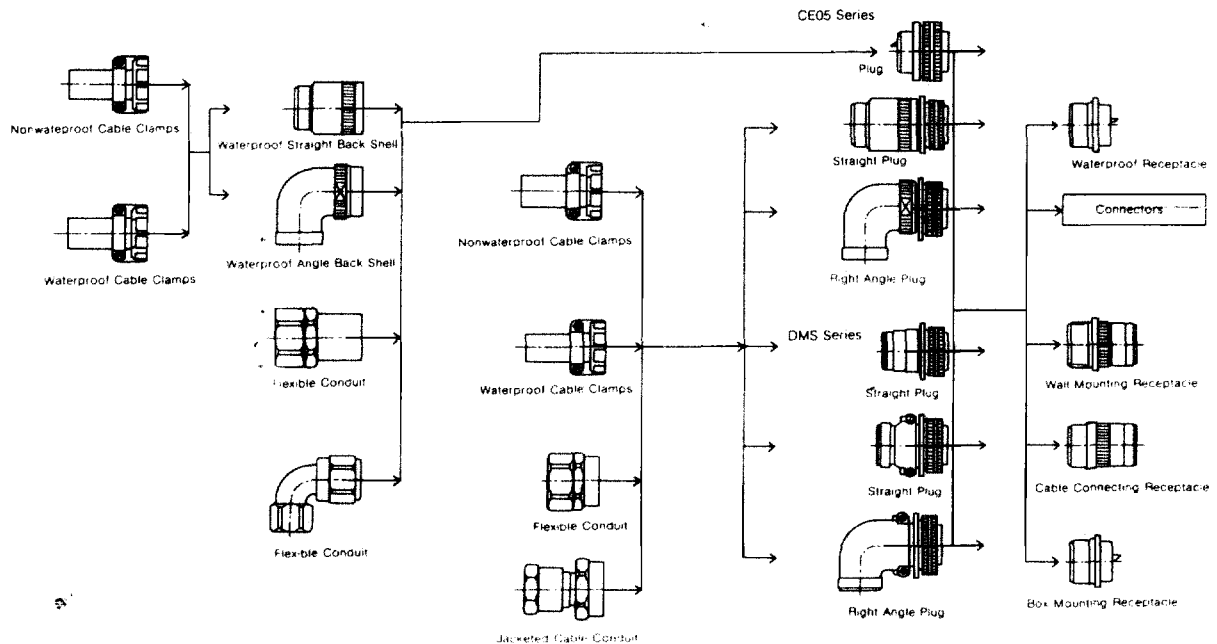
Wire Size

Contact Size	Wire Size
#16	AWG#22-#16
#12	AWG#14-#12
#8	AWG#10-#8
#4	AWG#6-#4

Specification

Current rating	Contact size	#16	#12	#8	#4
	Max.value per contact	13A	23A	46A	80A
Dielectric withstanding voltage	AC(r.m.s),1minute	2000V, 2800V or 3000V			
Insulation resistance	5000MΩ Min. at 500V DC				
Operating temperature	-55°C to +125°C				

Connection



CE05 Series



List of CE05 Series

Insert No.	Receptacle	Plug	Note	Waterproof Cable Clamp or Conduit
10SL-3	CE05-2A10SL-3PC-B	CE05-6A10SL-3SC-B	Without Back Shell Type	For Conduit
		CE05-6A10SL-3SC-B-BSS	Straight Back Shell Type	CE3057-4A-1 (D265)
		CE05-8A10SL-3SC-B-BAS	Angle Back Shell Type	
18-10	CE05-2A18-10PD-B	CE05-6A18-10SD-B	Without Back Shell Type	For Conduit
		CE05-6A18-10SD-B-BSS	Straight Back Shell Type	CE3057-10A-X (D265)
		CE05-8A18-10SD-B-BAS	Angle Back Shell Type	
18-12	CE05-2A18-12PD-B	CE05-6A18-12SD-B	Without Back Shell Type	For Conduit
		CE05-6A18-12SD-B-BSS	Straight Back Shell Type	CE3057-10A-X (D265)
		CE05-8A18-12SD-B-BAS	Angle Back Shell Type	
20-4	CE05-2A20-4PD-B	CE05-6A20-4SD-B	Without Back Shell Type	For Conduit
		CE05-6A20-4SD-B-BSS	Straight Back Shell Type	CE3057-12A-X (D265)
		CE05-8A20-4SD-B-BAS	Angle Back Shell Type	
20-15	CE05-2A20-15PD-B	CE05-6A20-15SD-B	Without Back Shell Type	For Conduit
		CE05-6A20-15SD-B-BSS	Straight Back Shell Type	CE3057-12A-X (D265)
		CE05-8A20-15SD-B-BAS	Angle Back Shell Type	
22-22	CE05-2A22-22PD-B	CE05-6A22-22SD-B	Without Back Shell Type	For Conduit
		CE05-6A22-22SD-B-BSS	Straight Back Shell Type	CE3057-12A-X (D265)
		CE05-8A22-22SD-B-BAS	Angle Back Shell Type	
22-23	CE05-2A22-23PD-B	CE05-6A22-23SD-B	Without Back Shell Type	For Conduit
		CE05-6A22-23SD-B-BSS	Straight Back Shell Type	CE3057-12A-X (D265)
		CE05-8A22-23SD-B-BAS	Angle Back Shell Type	
24-10(D)	CE05-2A24-10PD-B	CE05-6A24-10SD-B	Without Back Shell Type	For Conduit
		CE05-6A24-10SD-B-BSS	Straight Back Shell Type	CE3057-16A-X (D265)
		CE05-8A24-10SD-B-BAS	Angle Back Shell Type	
24-10(G)	CE05-2A24-10PG-B	CE05-6A24-10SG-B	Without Back Shell Type	For Conduit
		CE05-6A24-10SG-B-BSS	Straight Back Shell Type	CE3057-16A-X (D265)
		CE05-8A24-10SG-B-BAS	Angle Back Shell Type	
32-17	CE05-2A32-17PD-B	CE05-6A32-17SD-B	Without Back Shell Type	For Conduit
		CE05-6A32-17SD-B-BSS	Straight Back Shell Type	CE3057-20A-1 (D265)
		CE05-8A32-17SD-B-BAS	Angle Back Shell Type	

CE05 Series



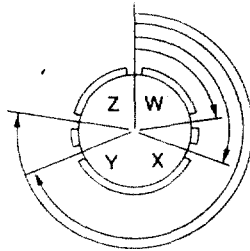
Insert Arrangements

Insert No.	10SL-3	18-10	18-12	20-4	20-15
Arrangements					
Contact Size	#16	#12	#16	#12	#12
No. of Contacts	3	4	6	4	7
Pre-mating Contact Position	C Terminal	D Terminal	D Terminal	D Terminal	D Terminal
Voltage Rating	200V AC(r.m.s)	250V AC(r.m.s)	250V AC(r.m.s)	250V AC(r.m.s)	250V AC(r.m.s)
Withstanding Voltage	2000V AC(r.m.s)	3000V AC(r.m.s)	2000V AC(r.m.s)	2800V AC(r.m.s)	2000V AC(r.m.s)
Current Capacity	13A(29.2A)	23A(62.5A)	13A(43.6A)	23A(62.5A)	23A(83.7A)
Insert No.	22-22	22-23	24-10(D)	24-10(G)	32-17
Arrangements					
Contact Size	#8	#12	#8	#8	#4
No. of Contacts	4	8	7	7	4
Pre-mating Contact Position	D Terminal	D Terminal	D Terminal	G Terminal	D Terminal
Voltage Rating	250V AC(r.m.s)	250V AC(r.m.s)	250V AC(r.m.s)	250V AC(r.m.s)	250V AC(r.m.s)
Withstanding Voltage	3000V AC(r.m.s)	2000V AC(r.m.s)	2000V AC(r.m.s)	2000V AC(r.m.s)	2800V AC(r.m.s)
Current Capacity	46A(125.1A)	23A(90.1A)	46A(167.4A)	46A(167.4A)	80A(217.6A)

Note 1) The above figures show the views from solder cup side of CE05-6A plug connectors (socket insert).

2) Current capacities show the maximum permitted current values per contact. Values in parenthesis show the total current capacities in each one of respective connectors.

Alternate Insert Positions



Front View of Socket Insert

Insert No.	Contact size/ Number	W	X	Y	Z
10SL-3	#16/3	—	—	—	—
18-10	#12/4	—	120'	240'	—
18-12	#16/6	80	—	—	280
20-4	#12/4	45	110	250	—
20-15	#12/7	80	—	—	280
22-22	#8/4	—	110'	250'	—
22-23	#12/8	35	—	250'	—
24-10	#8/7	80'	—	—	280
32-17	#4/4	45	110'	250'	—

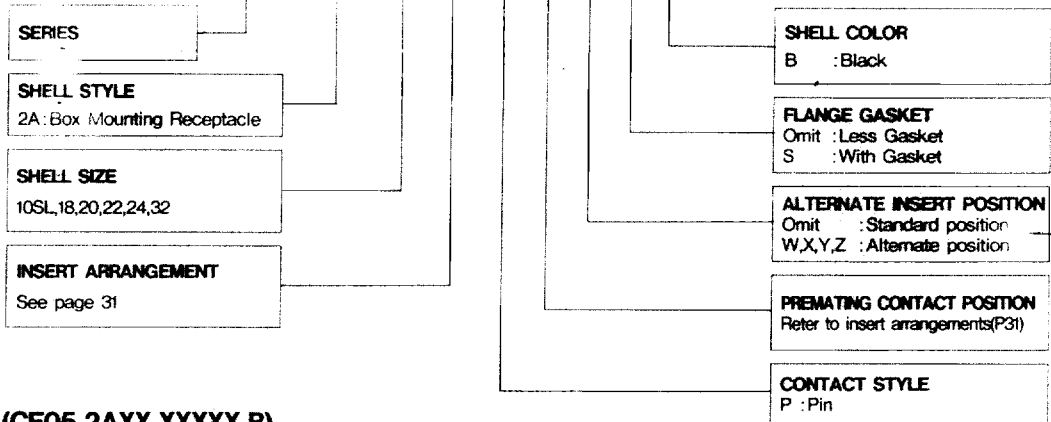
CE05 Series



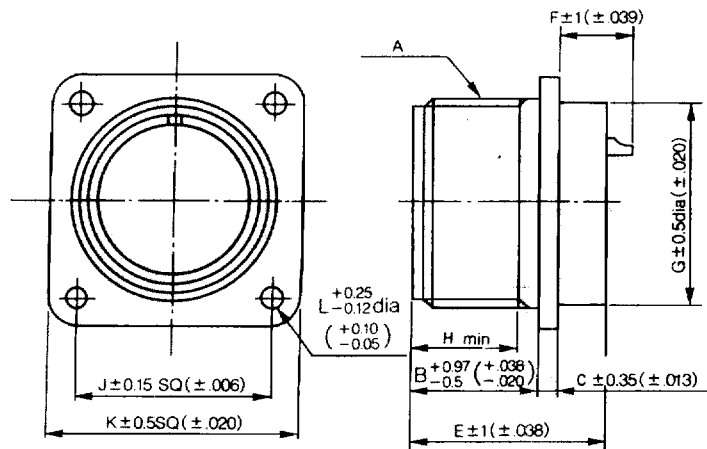
Receptacle Ordering Information

Unit : mm(inch)

CE05-2A 18-10 P D Y S-B



Dimensions (CE05-2AXX-XXXXX-B)



Part Number	Thread A	B	C	E	F	G	H	J	K	L
CE05-2A10SL-3PC-B	5/8-24UNEF-2A	14.27 (.562)	2.15 (.085)	23.5 (.925)	12.4 (.488)	16 (.630)	9.53 (.375)	18.26 (.719)	25.4 (1.000)	
CE05-2A18-10PD-B	1 1/8-18UNEF-2A	19.05 (.750)	2.75 (.108)	30.5 (1.201)	14.2 (.559)	27 (1.063)	15.88 (.625)	26.97 (1.062)	34.9 (1.374)	3.05 (.120)
CE05-2A18-12PD-B				13.3 (.524)						
CE05-2A20-4PD-B	1 1/4-18UNEF-2A	19.05 (.750)	2.75 (.108)	30.6 (1.205)	14.2 (.559)	32 (1.260)	15.88 (.625)	29.36 (1.156)	38.1 (1.500)	3.05 (.120)
CE05-2A20-15PD-B				17.2 (.677)	33 (1.299)	31.75 (1.250)		41.3 (1.626)		
CE05-2A22-22PD-B	1 3/8-18UNEF-2A	20.63 (.812)	3.35 (.132)	31.5 (1.240)	14.3 (.563)	36 (1.417)	15.88 (.625)	34.92 (1.375)	44.4 (1.748)	3.74 (.147)
CE05-2A22-23PD-B				33.85 (1.333)	15.6 (.614)					
CE05-2A24-10PD-B	1 1/2-18UNEF-2A	20.63 (.812)	3.35 (.132)	38.15 (1.502)	20.2 (.795)	48 (1.890)	15.88 (.625)	44.45 (1.750)	57.2 (2.252)	4.4 (.173)
CE05-2A24-10PG-B										
CE05-2A32-17PD-B	2-18UNS-2A	22.23 (.875)	3.35 (.132)	38.15 (1.502)	20.2 (.795)	48 (1.890)	15.88 (.625)	44.45 (1.750)	57.2 (2.252)	4.4 (.173)

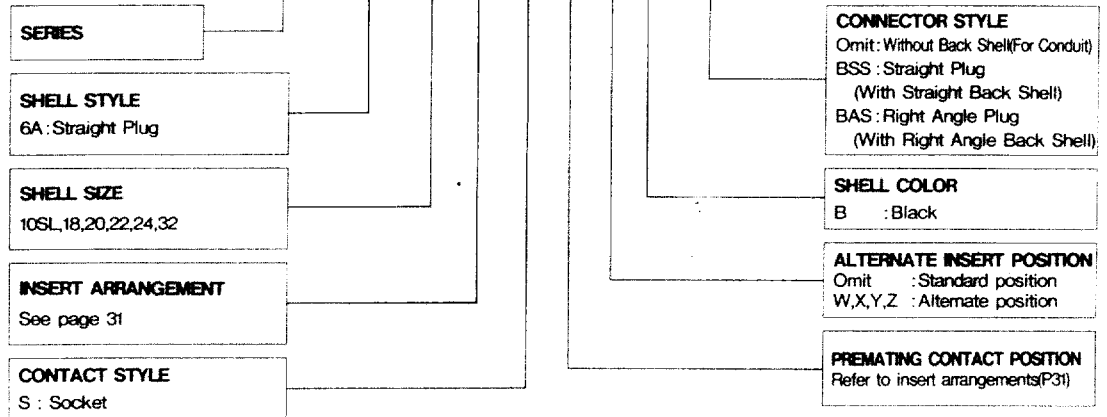
CE05 Series



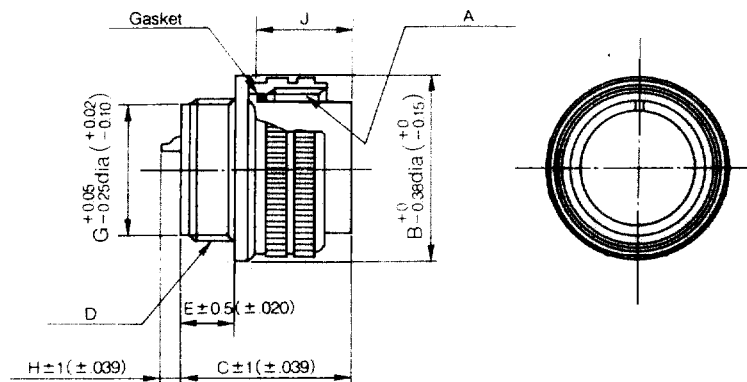
Unit : mm(inch)

■ Plug Ordering Information

CE05-6A 18-10 S D Y-B-BSS



Plug (CE05-6AXX-XXXX-B)



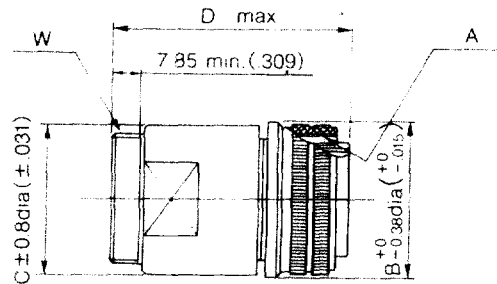
Part Number	Coupling Threads		B	C	Rear Threads		E	G	H	J
	A	A			D	D				
CE05-6A10SL-3SC-B	$\frac{5}{8}$ -24UNEF-2B		22.22 (.875)	23.3 (.917)	$\frac{5}{8}$ -24UNEF-2A		7.5 (.295)	12.5 (.492)	5.6 (.220)	13.2 (.520)
CE05-6A18-10SD-B	$\frac{1}{8}$ -18UNEF-2B		34.13 (1.344)	33.7 (1.327)	1-20UNEF-2A	11.74 (.462)	23.5 (.925)	6.4 (.252)	5.6 (.220)	19 (.748)
CE05-6A18-12SD-B										
CE05-6A20-4SD-B	$\frac{1}{4}$ -18UNEF-2B		37.28 (1.468)	34.1 (1.343)	$\frac{1}{8}$ -18UNEF-2A	12.16 (.479)	26.8 (1.055)	6.0 (.236)	6.0 (.236)	19 (.748)
CE05-6A20-15SD-B										
CE05-6A22-22SD-B	$\frac{3}{8}$ -18UNEF-2B		40.48 (1.594)	34.1 (1.343)	$\frac{1}{4}$ -18UNEF-2A	14.65 (.577)	29.9 (1.177)	9.3 (.366)	6.1 (.240)	19.4 (.764)
CE05-6A22-23SD-B										
CE05-6A24-10SD-B	$\frac{1}{2}$ -18UNEF-2B		43.63 (1.718)	36.6 (1.441)	$\frac{3}{8}$ -18UNEF-2A	13.42 (.528)	32.9 (1.295)	6.8 (.268)	6.8 (.268)	19.4 (.764)
CE05-6A24-10SG-B										
CE05-6A32-17SD-B	2-18UNS-2B		56.33 (2.218)	37.0 (1.457)	$\frac{1}{8}$ -16UN-2A	13.14 (.517)	45.3 (1.783)	9.2 (.362)		

CE05 Series



Straight Plug(CE05-6AXX-XXXX-B-BSS)

Unit : mm(inch)



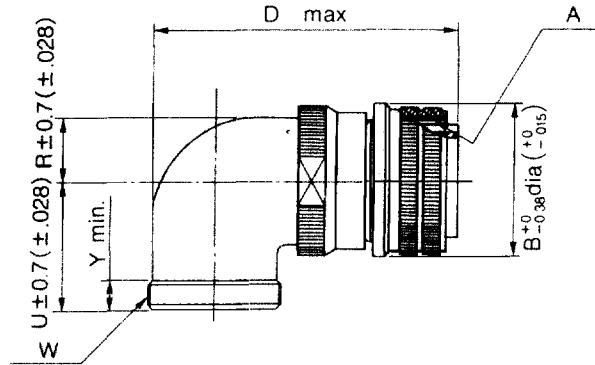
Part Number	Coupling Threads A	B	C	D	Rear Threads W
CE05-6A10SL-3SC-B-BSS	$\frac{5}{8}$ -24UNEF-2B	22.22 (.875)	18.6 (.732)	40 (1.575)	$\frac{5}{8}$ -24UNEF-2A
CE05-6A18-10SD-B-BSS	$1\frac{1}{8}$ -18UNEF-2B	34.13 (1.344)	32.1 (1.264)	57 (2.244)	1-20UNEF-2A
CE05-6A18-12SD-B-BSS					
CE05-6A20-4SD-B-BSS	$1\frac{1}{4}$ -18UNEF-2B	37.28 (1.468)	35.2 (1.386)	61 (2.402)	$1\frac{3}{16}$ -18UNEF-2A
CE05-6A20-15SD-B-BSS					
CE05-6A22-22SD-B-BSS	$1\frac{3}{8}$ -18UNEF-2B	40.48 (1.594)	38.3 (1.508)		
CE05-6A22-23SD-B-BSS					
CE05-6A24-10SD-B-BSS	$1\frac{1}{2}$ -18UNEF-2B	43.63 (1.718)	42.0 (1.654)	68 (2.677)	$1\frac{7}{16}$ -18UNEF-2A
CE05-6A24-10SG-B-BSS					
CE05-6A32-17SD-B-BSS	2-18UNS-2B	56.33 (2.218)	54.2 (2.134)	79 (3.110)	$1\frac{3}{4}$ -18UNS-2A

CE05 Series



Right Angle Plug (CE05-8AXX-XXXX-B-BAS)

Unit : mm(inch)



Part Number	Coupling Threads A	B	D	Rear Threads W	R	U	Y
CE05-8A10SL-3SC-B-BAS	5/8-24UNEF-2B	22.22 (.875)	47.8 (1.882)	5/8-24UNEF-2A	7.9 (.311)	21.0 (.827)	
CE05-8A18-10SD-B-BAS	1/8-18UNEF-2B	34.13 (1.344)	69.5 (2.736)	1-20UNEF-2A	13.2 (.520)	30.2 (1.189)	
CE05-8A18-12SD-B-BAS							
CE05-8A20-4SD-B-BAS	1/4-18UNEF-2B	37.28 (1.468)	75.5 (2.972)	1 3/16-18UNEF-2A	15.0 (.591)	33.3 (1.311)	7.5 (.295)
CE05-8A20-15SD-B-BAS							
CE05-8A22-22SD-B-BAS	1 3/8-18UNEF-2B	40.48 (1.594)			16.3 (.642)		
CE05-8A22-23SD-B-BAS							
CE05-8A24-10SD-B-BAS	1 1/2-18UNEF-2B	43.63 (1.718)	86.3 (3.398)	1 1/16-18UNEF-2A	18.2 (.717)	36.5 (1.437)	
CE05-8A24-10SG-B-BAS							
CE05-8A32-17SD-B-BAS	2-18UNS-2B	56.33 (2.218)	93.5 (3.681)	1 3/4-18UNS-2A	24.6 (.969)	44.5 (1.752)	8.5 (.335)

CE05 Series



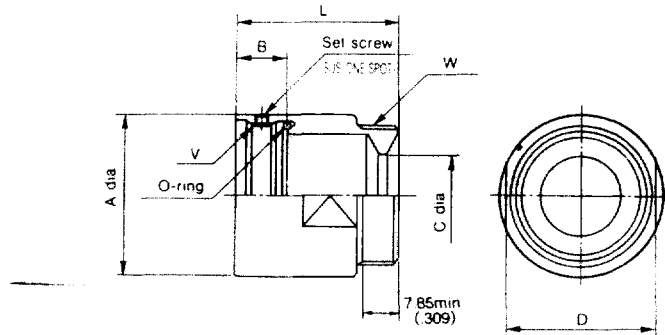
Accessories

Unit : mm(inch)

Waterproof Straight Back Shell : CE05-XXBS-S-B

Material/Finish...Aluminum alloy/Black chromate finish

CE05-XXBS-S-B is a waterproof back shell to hold a length of cable when no conduit is used.

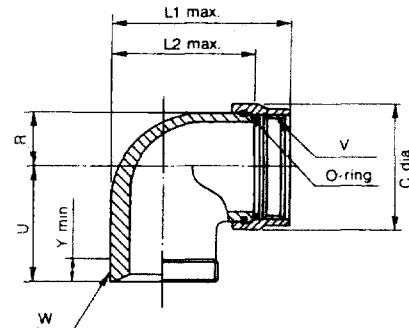


Shell Size	Part Number	L	A	B	C	D	Threads V	Threads W
10SL	CE05-10SLBS-S-B	20.0 (.787)	18.6 (.732)	6.5 (.256)	6.6 (.260)	17.9 (.705)	9/16-24UNEF-2B	5/8-24UNEF-2A
18	CE05-18BS-S-B	31.0 (1.220)	32.1 (1.264)	10.5 (.413)	16.3 (.642)	26.7 (1.051)	1-20UNEF-2B	1-20UNEF-2A
20	CE05-20BS-S-B	35.0 (1.378)	35.2 (1.386)	10.9 (.429)	17.8 (.701)	31.6 (1.244)	1 1/8-18UNEF-2B	1 3/16-18UNEF-2A
22	CE05-22BS-S-B	35.0 (1.378)	38.3 (1.508)	10.9 (.429)	17.8 (.701)	32.4 (1.276)	1 1/4-18UNEF-2B	1 3/16-18UNEF-2A
24	CE05-24BS-S-B	40.5 (1.594)	42.0 (1.654)	12.2 (.480)	21.0 (.827)	36.6 (1.441)	1 3/8-18UNEF-2B	1 3/16-18UNEF-2A
32	CE05-32BS-S-B	46.0 (1.811)	54.2 (2.134)	11.7 (.461)	25.8 (1.016)	47.3 (1.862)	1 7/8-16UN-2B	1 3/4-18UNS-2A

Waterproof Angle Back Shell : CE-XXBA-S (D265)

Material/Finish...Aluminum alloy/Black chromate finish

CE-XXBA-S (D265) is a waterproof back shell to hold a length of cable at right angle when no conduit is used.



Shell Size	Part Number	L1	L2	C	R	U	Threads V	Threads W	Y
10SL	CE-10SLBA-S(D265)	30.6 (1.205)	22.5 (.886)	21.7 (.854)	7.9 (.311)	21.0 (.827)	9/16-24UNEF-2B	5/8-24UNEF-2A	7.5 (.295)
18	CE-18BA-S(D265)	44.6 (1.756)	34.0 (1.339)	32.4 (1.276)	13.2 (.520)	30.2 (1.189)	1-20UNEF-2B	1-20UNEF-2A	7.5 (.295)
20	CE-20BA-S(D265)	50.5 (1.988)	39.6 (1.559)	36.0 (1.417)	15.0 (.591)	33.3 (1.311)	1 1/8-18UNEF-2B	1 3/16-18UNEF-2A	7.5 (.295)
22	CE-22BA-S(D265)	50.5 (1.988)	39.6 (1.559)	38.6 (1.520)	18.3 (.717)	33.3 (1.311)	1 1/4-18UNEF-2B	1 3/16-18UNEF-2A	7.5 (.295)
24	CE-24BA-S(D265)	60.1 (2.366)	47.9 (1.885)	42.4 (1.669)	18.2 (.717)	36.5 (1.437)	1 3/8-18UNEF-2B	1 7/16-18UNEF-2A	7.5 (.295)
32	CE-32BA-S(D265)	69.1 (2.720)	55.1 (2.169)	55.3 (2.177)	24.6 (.969)	44.5 (1.752)	1 7/8-16UN-2B	1 3/4-18UNS-2A	8.5 (.335)

CE05 Series

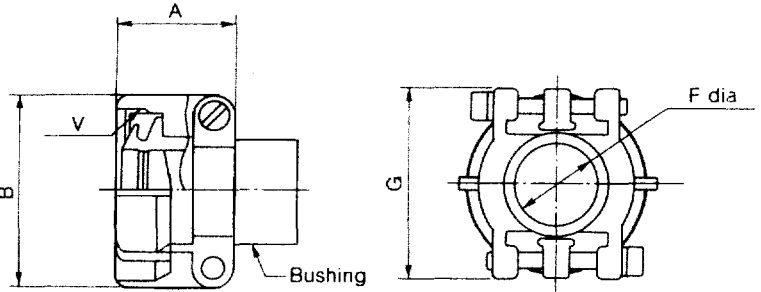


Waterproof Cable Clamps: CE3057-XXA-X(D265)

Unit : mm(inch)

Material/Finish...Aluminium alloy/Zinc Plating.
Black chromate finish

CE3057-XXA-X (D265) is a waterproof cable clamp for use with a plug. The cable clamp body is the DMS3057-XXA that has a waterproof rubber bushing. Therefore, be sure to use a jacketed cable meeting one of the applicable cable size ranges as shown. The cable clamp should be used together with a waterproof back shell.

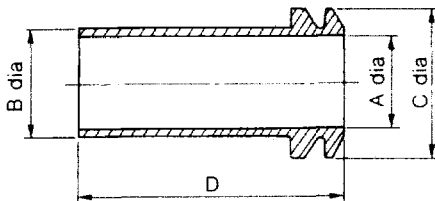


Part Number	Shell Size	A	B	F	G	Threads V	Bushing Part Number	Cable Outer Diameter
CE3057-4A-1 (D265)	10SL	20.6 (.811)	20.6 (.811)	5.6 (.220)	22.2 (.874)	5/8-24UNEF-2B	CE3420-4-1	3.6~5.6 (.142-.220)
CE3057-10A-1 (D265)	18	23.8 (.937)	30.1 (1.185)	14.1 (.555)	31.7 (1.248)	1-20UNEF-2B	CE3420-10-1	10.5~14.1 (.413-.555)
CE3057-10A-2 (D265)				11.0 (.433)			CE3420-10-2	8.5~11.0 (.335-.443)
CE3057-10A-3 (D265)				8.7 (.343)			CE3420-10-3	5.5~9.7 (.217-.382)
CE3057-12A-1 (D265)	20,22	23.8 (.937)	35.0 (1.378)	16.0 (.630)	37.3 (1.469)	1 3/16-18UNEF-2B	CE3420-12-1	12.5~16.0 (.492-.630)
CE3057-12A-2 (D265)				13.0 (.512)			CE3420-12-2	9.5~13.0 (.374-.512)
CE3057-12A-3 (D265)				10.0 (.394)			CE3420-12-3	6.8~10.0 (.268-.394)
CE3057-16A-1 (D265)	24	26.2 (1.031)	42.1 (1.657)	19.1 (.752)	42.9 (1.689)	1 1/8-18UNEF-2B	CE3420-16-1	15.0~19.1 (.591-.752)
CE3057-16A-2 (D265)				15.5 (.610)			CE3420-16-2	13.0~15.5 (.512-.610)
CE3057-20A-1 (D265)	32	27.8 (1.094)	51.6 (2.031)	23.8 (.937)	51.6 (2.031)	1 3/4-18UNEF-2B	CE3420-20-1	22.0~23.8 (.866-.937)

Bushing: CE3420-XX-X

Material/Finish.....Synthetic rubber (Black)

CE3420-XX-X is the bushing used on cable clamp part number CE3057-XXA-X (D265)



Bushing Part Number	A	B	C	D	Applicable Washer
CE3420-4-1	5.6 (.220)	7.5 (.295)	11.8 (.465)	38.4 (1.512)	DMS3057-4W
CE3420-10-1	14.1 (.555)				
CE3420-10-2	11.6 (.457)	15.5 (.610)	21.6 (.850)	38.5 (1.516)	DMS3057-10W
CE3420-10-3	8.7 (.343)				
CE3420-12-1	16.0 (.630)				
CE3420-12-2	13.0 (.512)	18.6 (.732)	25.1 (.988)	39.3 (1.547)	DMS3057-12W
CE3420-12-3	10.0 (.394)				
CE3420-16-1	19.1 (.752)	23.4 (.921)	30.5 (1.201)	40.0 (1.575)	DMS3057-16W
CE3420-16-2	15.5 (.610)				
CE3420-20-1	23.8 (.937)	31.4 (1.236)	38.2 (1.504)	41.0 (1.614)	DMS3057-20W

NOTE : Please place an order for a washer separately from a bushing.

CE05 Series



Cap and Chain Assembly (Not waterproof)

Unit : mm(inch)

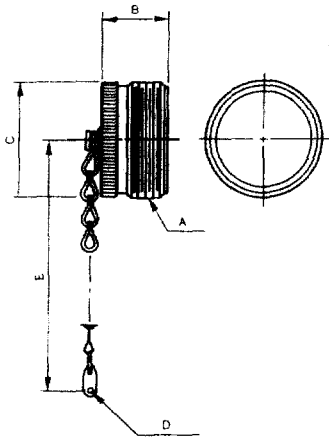
Material/Finish

CapAluminum alloy/Black chromate finish

Chain ...Stainless steel

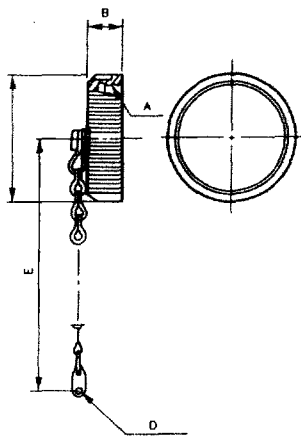
The cap and chain assembly protects the connector joint by preventing the intrusion of dust or other foreign substances that may impair the electrical connection. The cap for the receptacle (DMS 25043) comes with a drip-resistant gasket.

DMS25042-XXD (D265) : For Plug



Part Number	Shell Size	Threads A	B	C	D	E
DMS25042-10D(D265)	10SL	5/8-24UNEF	15.9 (.626)	15.9 (.626)	3.9 (.154)	101 (3.976)
DMS35042-18D(D265)	18	1 1/8-18UNEF	20.7 (.815)	28.6 (1.126)	3.9 (.154)	114 (4.488)
DMS25042-20D(D265)	20	1 1/4-18UNEF	20.7 (.815)	31.8 (1.252)	4.7 (.185)	127 (5.000)
DMS25042-22D(D265)	22	1 3/8-18UNEF	20.7 (.815)	34.9 (1.374)	4.7 (.185)	127 (5.000)
DMS25042-24D(D265)	24	1 1/2-18UNEF	20.7 (.815)	38.1 (1.500)	4.7 (.185)	139 (5.472)
DMS25042-32D(D265)	32	2-18UNS	20.7 (.815)	50.8 (2.000)	5.5 (.217)	190 (7.480)

DMS25043-XXD (D265) : For Receptacle



Part Number	Shell Size	Threads A	B	C	D	E
DMS25043-10D(D265)	10SL	5/8-24UNEF	11.1 (.437)	19.1 (.752)	3.3 (.130)	101 (3.976)
DMS35043-18D(D265)	18	1 1/8-18UNEF	11.1 (.437)	31.8 (1.252)	3.5 (.138)	114 (4.488)
DMS25043-20D(D265)	20	1 1/4-18UNEF	11.1 (.437)	34.9 (1.374)	3.5 (.138)	127 (5.000)
DMS25043-22D(D265)	22	1 3/8-18UNEF	11.1 (.437)	38.1 (1.500)	3.5 (.138)	127 (5.000)
DMS25043-24D(D265)	24	1 1/2-18UNEF	11.1 (.437)	42.9 (1.689)	4.3 (.169)	139 (5.472)
DMS25043-32D(D265)	32	2-18UNS	12.7 (.500)	55.6 (2.189)	4.7 (.185)	190 (7.480)